

# GREENFIELD

**8-26 SLASHER  
MOWER**



## **Spare Parts & Instructions**

Greenfield Products Pty Ltd

111 Ingrave Rd, Asanda Ridge, Qld Australia 4703

Fax (07) 544 1261 Phone (07) 545 2860

# Greenfield 8-26 SLASHER MOWER

## Instructions

Thank you for buying Greenfield. Australian made for tough conditions. This unit is ideal for lawn mowing and heavy weed clearing.

### BEFORE USING

#### Fuel

Top with clean UNLEADED petrol.

#### Crankcase

Check oil level. Top up to correct level.  
DON'T OVERFILL.

#### Tyres

Check pressure 140 kPa (20 PSI)  
DON'T OVER-INFLATE.

### TO START

Disengage blade clutch. (Cutters OUT) Disengage drive clutch. (Drive OUT) Turn fuel tap on. (If fitted) Set throttle control to choke. Pull cord steadily. If engine does not start, push throttle control in halfway. (Choke OFF) Pull cord.

### TO OPERATE

The Greenfield 8.26 can be operated with or without the drive engaged. To engage blades or drive, shift respective levers slowly. Cutting height can be varied as desired.

### TO STOP

Disengage drive. (Drive OUT) Reduce engine speed. (Push throttle control IN to idle) Disengage blades. (Cutters OUT) Idle engine before stopping (Throttle control fully IN)

### MAINTENANCE

#### Crankcase

Change engine oil while engine is hot after first 3 hours of operation then every 15 working hours thereafter. Change more often in heavy or dusty conditions. Use CASTROL GTX Motor Oil. Fill to mark indicated on dipstick. 8hp capacity approximately 1.1 Litres. DON'T OVERFILL (Refer engine leaflet).

#### Air Filter

Service air filter as per engine instruction leaflet. Clean more often in dusty conditions. Don't operate the engine without the air filter securely in place.

#### V Belts

Inspect the belts and replace if damaged or worn. To adjust drive belt tension, loosen nut on adjusting slot on the right side of the flat idler pulley at the back of the mower. This will allow the belt to retension automatically. Retighten nut. N.B. Spring tension alone is quite adequate on this belt. Extra tension must not be applied.

#### Blades

Check condition of blades, bolts and nuts. Turn over or replace if damaged or worn. WARNING — Blades of unequal weight should not be refitted. Vibration will cause damage to other parts. Use only genuine Greenfield parts. Part numbers are indicated on the machine.

#### Tyres

Check pressure 140 kPa (20 PSI)  
DON'T OVER-INFLATE.

#### Cooling System

Remove the blower housing and clean out grass and debris to prevent overheating. Refer engine instructions.

#### Cleaning

Don't use a high pressure hose when cleaning. Water can penetrate bearings and cause failure. Lubricate all pivots with engine oil.

## BELT CHANGING

### To Change Drive Belt GT2201

- Step 1 Remove top cover
- Step 2 To allow removal and replacement of belt, the left hand side flange bearing on the drive dog shaft must be unbolted as follows:
- A. Disengage drive (Drive Out)
  - B. Remove bolts holding flange bearing plates.
  - C. Loosen grub screw in bearing camlock. Use 3mm allen key.
  - D. Unlock camlock with suitable pin punch.
  - E. Clean drive dog shaft to allow bearing to slide back 30mm.
- Step 3 Unhook tension spring for flat idler pulley.
- Step 4 Loosen nut on adjustment slot on the right hand side of the flat idler pulley and push pulley forward.
- Step 5 Release belt from pulleys and pass through bearing hole in mower side plate.
- Step 6 Feed new belt in through bearing hole. Replace flange bearing and refit camlock tightly with pin punch then tighten grub screw. Run belt around pulleys leaving engine pulley till last.
- Step 7 Replace pulley tension spring then lock up nut on adjustment slot. N.B. Spring tension alone is quite adequate on this belt. Extra tension must not be applied.
- Step 8 Replace top cover.

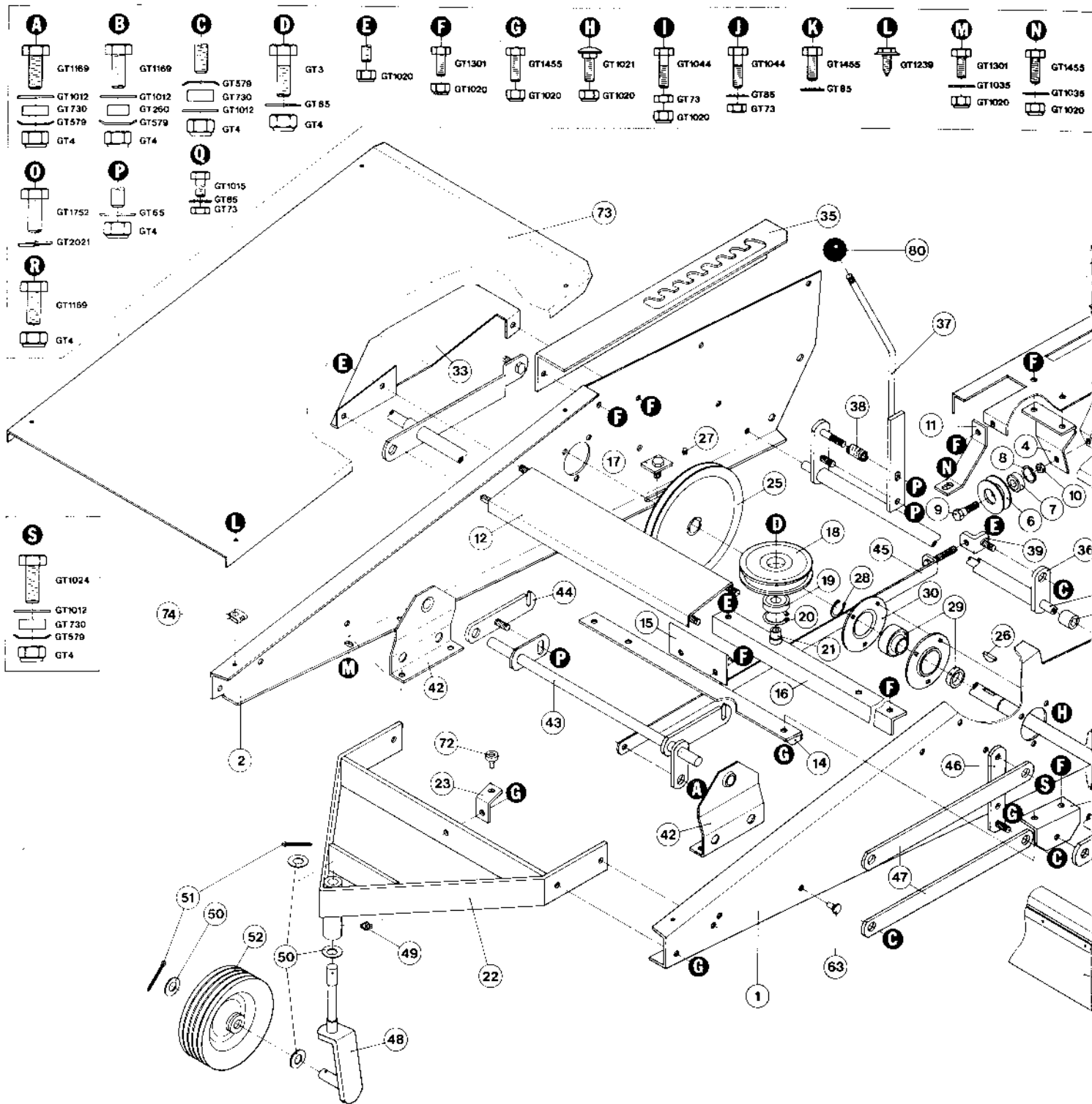
### To change Cutter Belt GT52

- Step 1 Remove top cover.
- Step 2 To remove cutter belt the drive belt must first be removed. Follow steps No 3 and No 4 of drive belt changing instructions. Then drop drive belt from engine pulley.

- Step 3 With cutter clutch disengaged (Cutters OUT) loosen rear belt guide at the back of the cutter belt. This allows cutter belt to be removed from engine pulley then from cutting attachment.
- Step 4 Fit new belt to cutting attachment then to engine pulley and tighten rear belt guide. N.B. Ensure belt passes on the inside of the engine pulley belt guides located just in front of the engine pulley.
- Step 5 Refit drive belt then repeat steps No 7 and No 8 of drive belt changing instructions.

ATTACHMENTS — Dual front wheels instead of castor wheel.

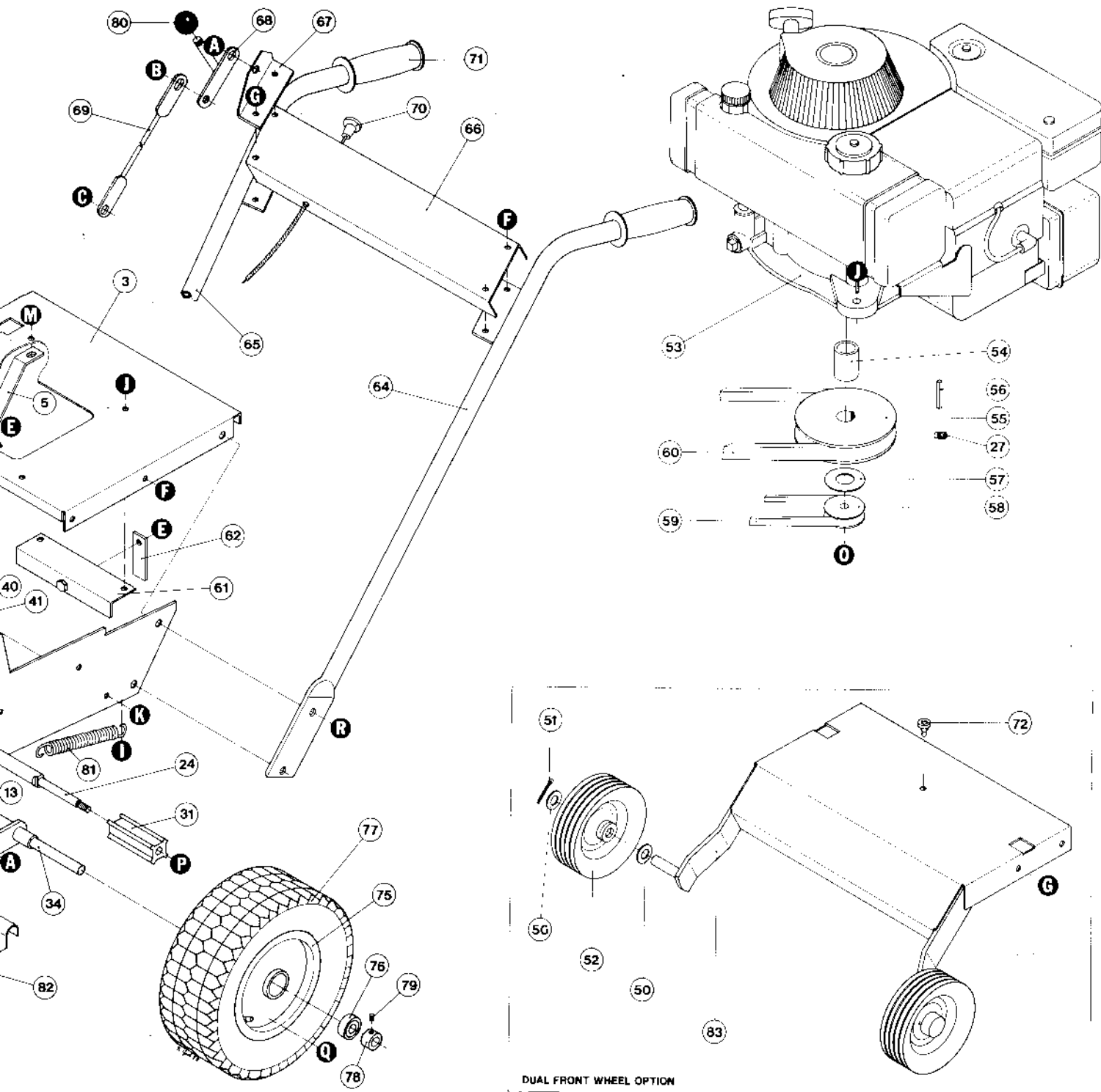
**We suggest that you return your Greenfield to your local Greenfield dealer in winter for an annual preventative maintenance check.**



INDEX	PART NUMBER	DESCRIPTION
1	GT4150	Side Plate L.H.
2	GT4151	Side Plate R.H.
3	GT4154	Base Plate
4	GT4156	Bracket
5	GT4236	Brace
6	GT4101	Pulley
7	GT2203	Bearing
8	GT2041	Circlip
9	GT4105	Bolt
10	GT 73	Nut
11	GT4224	Brace
12	GT4159	Spreader
13	GT4249	Bracket
14	GT4173	Angle
15	GT4209	Beltguide

INDEX	PART NUMBER	DESCRIPTION
16	GT4175	Angle
17	GT4242	Plate
18	GT4122	Pulley
19	GT 397	Bearing
20	GT2005	Circlip
21	GT 610	Adaptor
22	GT4169	Frame
23	GT4244	Bracket
24	GT4106	Shaft
25	GT4152	Pulley
26	GT 517	Key
27	GT 520	Grub Screw
28	GT1745	Circlip
29	GT2204	Bearing
30	GT2205	Plate

INDEX	PART NUMBER	DESCRIPTION
31	GT4112	Drive Dog
33	GT4227	Mudguard R.H.
	GT4226	Mudguard L.H.
34	GT4188	Axle
35	GT4178	Rack
36	GT4180	Lever
37	GT4210	Handle
38	GT7071	Spring
39	GT4184	Link
40	GT4110	Bar
41	GT4111	Spacer
42	GT4168	Support
43	GT4213	Shaft
44	GT4217	Lever
45	GT4186	Link

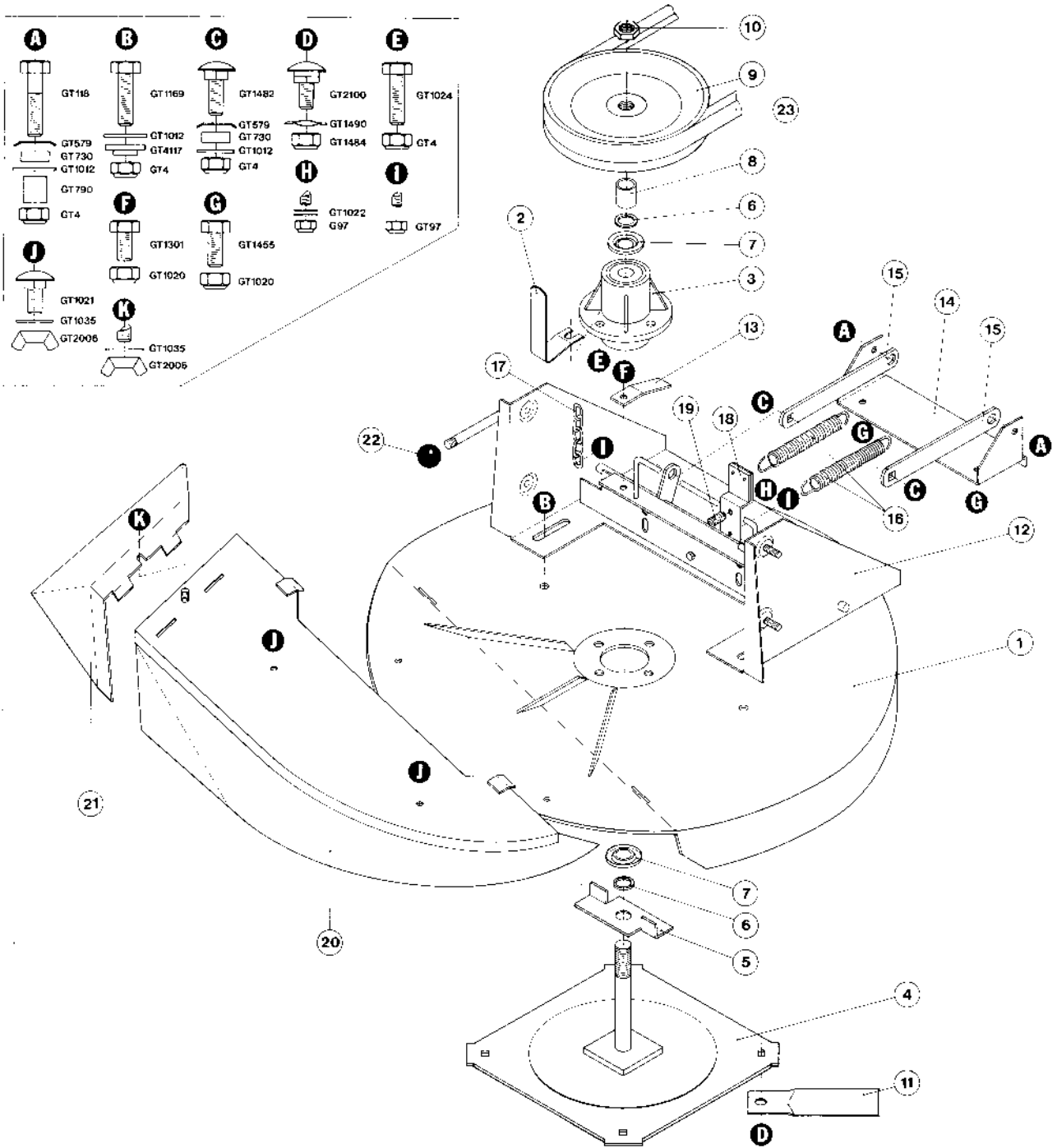


DUAL FRONT WHEEL OPTION

INDEX	PART NUMBER	DESCRIPTION
46	GT4176	Link
47	GT5105	Link
48	GT4228	Leg
49	GT1924	Nipple
50	GT1488	Washer
51	GT 164	Split Pin
52	GT4256	Wheel
53	GT1919	Engine
54	GT4108	Spacer
55	GT4107	Pulley
56	GT4121	Key
57	GT4109	Washer
58	GT4123	Pulley
59	GT2201	Belt-Drive
60	GT 52	Belt-Cutter

INDEX	PART NUMBER	DESCRIPTION
61	GT4246	Bracket
62	GT4248	Beltguide
63	GT1760	Button
64	GT4191	Bar LH
65	GT4192	Bar RH
66	GT4196	Brace
67	GT4197	Bracket
68	GT4202	Lever
69	GT4198	Link
70	GT4116	Control
71	GT 757	Grip
72	GT4126	Buffer
73	GT4245	Cover
74	GT2049	Nut
75	GT 420	Rim Outer

INDEX	PART NUMBER	DESCRIPTION
75	GT1942	Rim Inner
76	GT2202	Bearing
77	GT 453	Tyre
78	GT 454	Tube
79	GT7009	Collar
80	GT1565	Knob
81	GT1554	Spring
82	GT4259	Mudflap
83	GT4233	Dual Wheels



INDEX	PART NUMBER	DESCRIPTION
1	GT4220	Deck
2	GT5091	Beltguide
3	GT7985	Housing Assy
	GT 400	Housing
	GT7079	Spacer
4	GT 395	Bearings
	GT4260	Disc Assy
5	GT1966	Wiper
6	GT 635	Spacer
7	GT 589	Shield
8	GT9045	Spacer
9	GT4128	Pulley
10	GT 347	Nut
11	GT2129	Blades
12	GT4161	Brackets

INDEX	PART NUMBER	DESCRIPTION
13	GT4239	Stop
14	GT4167	Bracket
15	GT4204	Link
16	GT1554	Spring
17	GT4225	Chain
18	GT4255	Brake
19	GT 354	Spring
20	GT5145	Cover
21	GT5149	Deflector
22	GT1565	Knob
23	GT 52	Belt-Cutter

# Safety Precautions

**DO NOT** allow children or any person not prepared to follow the required safety precautions to operate this machine.

**DO NOT** run the engine in an enclosed area. Exhaust gases contain carbon monoxide — an odourless and deadly poison.

**DO NOT** add fuel while engine is running. Allow engine to cool for approximately 2 minutes before refuelling.

**DO NOT** add fuel in the vicinity of an open flame, a person smoking or any other device which could cause ignition.

**DO NOT** operate machine without first inspecting blades and blade bolts. Check that all guards are in good condition and fitted securely. Replace worn or damaged parts with GENUINE Greenfield replacement parts only. Regularly check all components on the mower to ensure the machine is in a safe operating condition.

**TO AVOID** accidental starting, remove spark plug lead before attempting any maintenance to machine.

**ENSURE** area to be mowed is free of sticks, stones and other debris **BEFORE** mowing. The operator should also ensure that people and pets in the vicinity of the operating mower are not within range of objects thrown by the mower blades.

**ALWAYS** keep hands and feet clear of moving or rotating parts.

**ALWAYS** wear protective clothing and footwear. **NEVER** operate the machine with barefeet. Suitable eye protection is advisable.

**BEFORE** crossing paths, driveways or any other areas foreign to mowers, disengage cutting blades, stop the engine and lift cutting attachment to maximum height.

**STOP** the engine whenever the mower is left unattended.

**NEVER** attempt to lift or carry the mower while the engine is running.

**ALWAYS** operate the machine across slopes, not up and down, as misjudged footing could cause the machine to run back onto the operator or run out of control down a slope.

We recommend that the optional dual front wheels be fitted when operating machine on slopes instead of the single castor wheel.

## RECORD