



SP97

# Greenfield

*"Excellence through Innovation"*

## I.P.D. SLASHER MOWER



### INSTRUCTIONS AND SPARE PARTS

**Greenfield Products Pty Ltd**

112 Sigston Rd, Acacia Ridge, Qld, Australia 4110

Fax (07) 33441181 Phone (07) 33450100

# Greenfield

## SLASHER MOWER

Thank you for buying Australian made GREENFIELD. Your Greenfield IPD (Industrial Power Drive) Slasher Mower is made for hard work and is ideal for large lawn mowing and heavy weed clearing. Follow the manufacturer's operating and maintenance instructions and many years of excellent trouble free service can be expected.

**BEFORE OPERATING** the mower **read the owner's manual carefully**. Do not allow children or any person unfamiliar with the safe operating procedure to operate this slasher mower. Your Greenfield mower has been designed to meet stringent safety standards - but we remind you that a mower is a cutting device **used incorrectly it could cause personal injury**.

## SAFETY INSTRUCTIONS

1. **WARNING - Remove spark plug lead** to avoid accidental starting before attempting any inspection or maintenance on the mower.
2. Do not mow whilst people, especially children or pets are in the mowing area.
3. Make sure the area to be mowed is clear of sticks, stones, bones, bottles, wire and other debris which could be thrown by the blades.
4. Do not operate the machine without first inspecting the blades, blade bolts and blade holder for wear or damage. **DAMAGED BLADES AND WORN BOLTS ARE MAJOR HAZARDS**. Always replace blades and blade bolts in sets to preserve balance. Replace worn or damaged parts with genuine GREENFIELD replacement parts only.
5. Never mow while barefoot or wearing open sandals or thongs. Wear long trousers and heavy shoes it is also important to wear suitable eye and hearing protection.
6. Before using, check that the stone guard provided by the manufacturer is securely fitted. Regularly check all the components on the slasher mower to ensure the machine is in a safe operating condition.
7. A mower operator should be in good physical and mental health and not under the influence of any drug or alcohol which may impair vision, co-ordination or judgement.
8. Refuel outdoors only. Do not smoke while fuelling engine. Never remove the cap of the fuel tank or add petrol while the engine is running or if the engine is hot, allow it to cool. Remove fuel cap slowly to relieve any tank pressure. Do not overfill the fuel tank. If petrol is spilled do not attempt to start the engine but move the machine away from the area of the spill and avoid creating any source of ignition until petrol vapours have dissipated.
9. Check for fuel leaks while refuelling. If a fuel leak is detected, do not start the engine until the fuel leak is fixed and the spilled fuel is wiped away.
10. Do not operate the engine in a confined space where the poisonous exhaust fumes (carbon monoxide) can collect.
11. Always disengage the cutting blades before starting or stopping the engine. NEVER walk in front of the mower when the engine is running, even if the drive clutch is out. Always stop the engine.
12. Always operate the machine across slopes, not up and down, as misjudged footing could cause the machine to run back onto the operator or run out of control down the slope. Never operate the mower across a slope steeper than what you would safely drive a car across.

13. Stay alert for holes in the terrain and other hidden hazards.
14. Before crossing paths, driveways or any other areas foreign to mowers, disengage cutting blades, stop the engine and lift cutter deck to maximum height.
15. Watch out for traffic when operating the mower near roadways. Always mow with the safety grass deflector properly fitted.
16. Disengage the drive to the cutting blades and stop the engine -
  - (A) Before refuelling.
  - (B) Before fitting grass deflector.
  - (C) Before removing side grass catcher (optional extra).
  - (D) Before clearing blockages.
  - (E) Before inspecting, cleaning or working on the mower.
  - (F) After striking a foreign object (Inspect the mower for damage and make necessary repairs before restarting and operating the machine).
  - (G) If the machine starts to vibrate abnormally (check immediately)
17. Disengage drive to the cutting blades when not in use or in transporting.
18. Do not over-speed the engine or alter governor settings. Excessive speed is dangerous and shortens the mowers life.
19. Store the mower in a well ventilated room away from naked flames such as may be found in some hot water heaters.
20. Keep the engine free of grass, leaves or excessive grease. These can be a fire hazard.
21. Replace worn or faulty exhaust mufflers.
22. Do not lend or sell the slasher mower without the owner's manual.

# **OPERATING INSTRUCTIONS**

## **Before Starting**

### **Fuel**

Top up with clean regular UNLEADED petrol only. Don't overfill. Make sure the petrol is free from impurities, particularly water. Do not use stale petrol in your mower.

### **Engine Oil**

Check oil level by positioning the mower on level ground, remove the dipstick and wipe clean, replace the dipstick screwing firmly into position. Remove again and sight the oil level. Fill to the full mark. **DO NOT OVERFILL.** Dipstick must be firmly in place when the engine is running. Refer to crankcase lubrication in the maintenance section of this manual for oil recommendations.

### **Tyres**

Check Pressure 140 KPa (20 Psi) Do not over inflate.

### **To Start**

Disengage blade clutch. (cutter out). Disengage drive clutch. (drive out). Turn fuel tap on (if fitted). Set throttle control to choke (throttle knob full out). Pull cord steadily. If engine does not start, push throttle control halfway (choke off). Pull cord again.

### **To Stop**

Disengage drive (drive out). Reduce engine speed (push throttle control "in" to idle). Disengage blade clutch. (cutter out) Allow engine to cool down by idling approximately 1 minute before stopping. (push throttle control fully in). Turn fuel tap off.

### **To Operate**

The Greenfield slasher mower can be operated with or without the drive engaged. To engage blades or drive, shift respective levers slowly. The blade clutch lever is mounted on the right hand side of the cutter deck. While the drive clutch handle is located on the right hand side of the handle bars, cutting height can be varied as desired by means of an adjustable lever on the left side of the handle bars.

# **MAINTENANCE**

## **Crankcase Lubrication**

Change engine oil after the first 5 hours of operation then every 6 months or 25 working hours, whichever comes first. Change more often in heavy work or dusty conditions. Drain engine oil whilst engine is warm then replace with a high quality detergent oil classified for service SF/CC by the A.P.I such as Briggs & Stratton "Warranty Certified" SAE 30 oil. Available from Briggs & Stratton service dealers. Fill to full mark indicated on the dipstick. Do Not Overfill.

## **Air Filter**

Service the air filter as per the engine manufacturers booklet. Clean or replace more often in dusty conditions. Never operate the engine without the air filter correctly and securely fitted, rapid and expensive wear will occur.

## **Drive Dogs**

There are two sizes supplied. The smaller set is for slow speed (heavy grassed areas) and the larger set is for normal use. To change the drive dogs, Disengage drive (Drive out), remove the nyloc nut and washer from ends of the drive shaft and slide off the drive dogs. Slide the new drive dog onto the ends of the drive shaft making sure that the recess in the end of the dogs engages over the pins in the drive shaft, fit washers and tighten the nyloc nuts.

## **Gear Box**

With gears running on large scaled ball bearings inside a factory sealed & lubricated gear box. No maintenance is required.

## **Controls**

The height adjustment and drive engaging levers are conveniently located on the handlebars. The blade clutch lever is mounted on the cutter deck, these require oiling after cleaning. Move lever backwards and forwards while oiling to allow oil to penetrate. Disengage blade clutch and drive after using.

## **Tyres**

Check pressure 140 Kpa (20 Psi) **Do Not Over Inflate.**

## **Cooling System**

Remove the blower housing and clean out grass and debris to prevent overheating. Refer to manufacturer's booklet.

## **Cleaning**

Clean off all grass and other debris before storing. Sticks, stones or and accumulation of grass and other debris will damage belts and fracture pulleys if they go through between the pulley and belt. So keep the cutter deck clean.

Never wash your Greenfield with a high pressure wash gun. Water and dirt could bypass the seals in the bearings causing premature bearing failures and rusted pivot points.

Allow your Greenfield to cool after use. The quenching contraction effect from hosing off the machine when it's at operating temperature could also draw water and dirt into the bearings.

The best way to clean your Greenfield is to use an air hose or garden blower to blow the loose grass, etc. from around pulleys, belts and the top of the cutter deck. Wash the exterior the same as you would your car. For maximum machine life, do not spray water on the engine, pulleys and bearings. Recoil all pivots after wash.

## **V BELTS**

Inspect the belts and replace if damaged or worn. Both the drive belt and the cutter belt on your Greenfield slasher mower adjust automatically.

Your part numbers for V belts are:     CUTTER V BELT  GT 382  
  DRIVE V BELT  GT 383

**IMPORTANT:** For long service life, use only **GENUINE GREENFIELD** branded V belts, Refuse substitutes.

# BLADES AND BELTS

## Blades

Check condition of blades, blade bolts and blade holder.

Replace if damaged or worn. Worn or damaged blades and bolts are a major hazards. Always replace worn or damaged blades and bolts in sets to preserve balance.

Use only **GENUINE GREENFIELD** branded replacement blade and bolts. Use of inferior non genuine replacement parts on your Greenfield could result in costly damage or even personal injury.

Your part numbers for blades and bolts are:

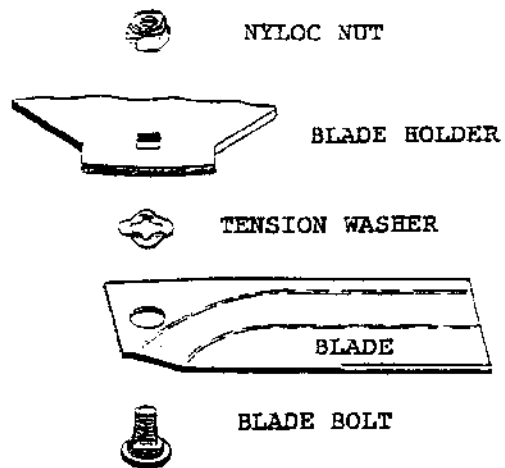
Blade set GT 2140

Bolt set GT 2110

Blade & Bolt set GT 2141

To fit new blades refer to illustration A.

Tighten the blade bolt nut firmly. Correct torque is 44 Nm (32 ft.lbs). Blades must be free to move but not loose. Lightly oil the blade pivot point before fitting.



**Illustration A**

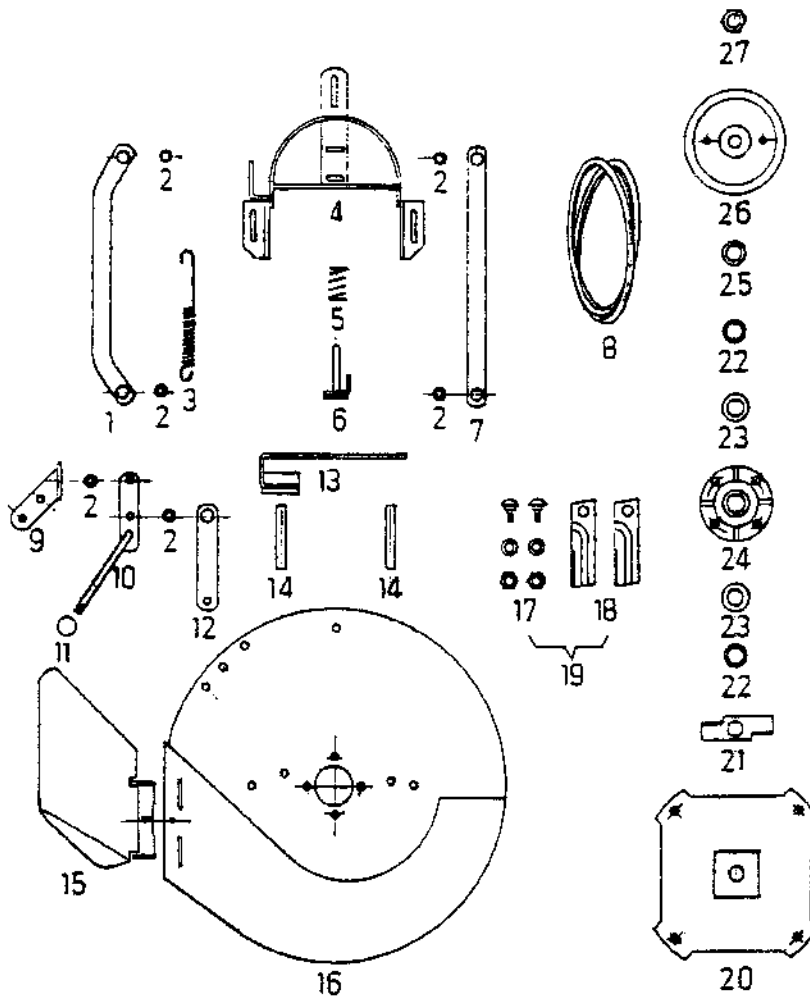
## TO CHANGE CUTTER BELT

1. Remove the spark plug lead to prevent accidental starting.
2. Disengage the blade clutch and drive clutch.
3. Remove the front cover.
4. Remove the belt guide from the engine pulley.
5. Support the weight of the cutter deck then disconnect the lifting chain.
6. Remove the belt from the pulleys and replace with a **GENUINE GREENFIELD** GT 382 V Belt.
7. Refit the lifting chain, belt guide & cover.
8. Replace spark plug lead.

## TO CHANGE DRIVE BELT

1. To remove the drive belt, the cutter belt must first be removed from the engine pulley. Follow steps # 1 to # 4 of "TO CHANGE CUTTER BELT" then drop the cutter belt from the engine pulley only.
2. Release the tension spring from the drive belt idler pulley and slide the pulley back.
3. Remove the drive belt from the pulleys and replace with a **GENUINE GREENFIELD** GT 383 V Belt.
4. Replace the tension spring to the idler pulley.
5. Replace the cutter belt onto the engine pulley, replace the belt guide and cover.
6. Replace spark plug lead.

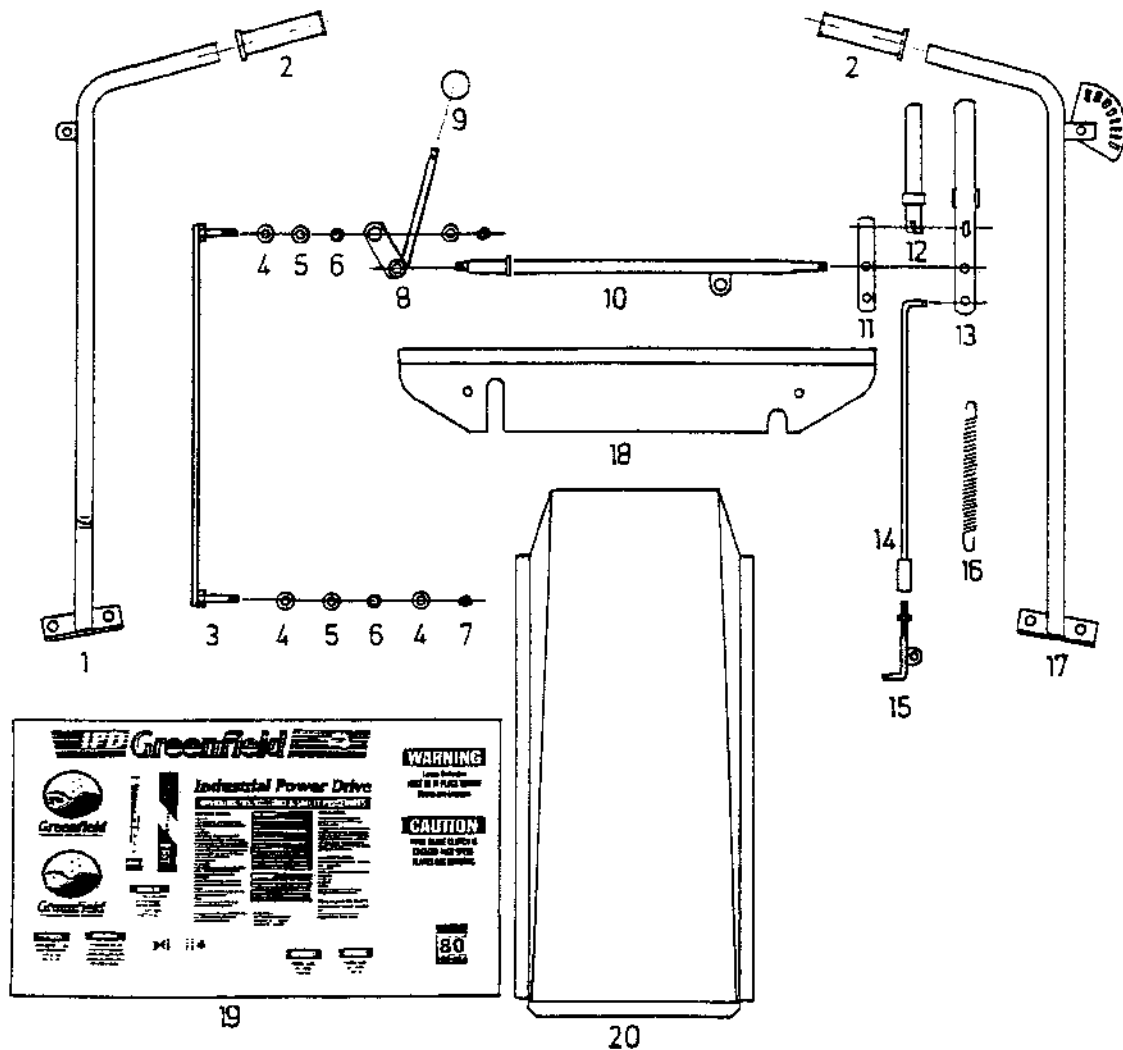
# CUTTER DECK



INDEX	PART N <sup>o</sup>	DESCRIPTION	INDEX	PART N <sup>o</sup>	DESCRIPTION
1.	GT 4005 A	Link - Right Hand	15.	GT 4030	Stone Guard
2.	GT 730	Pivot Bush	16.	GT 763	Cutter Deck
3.	GT 350	Spring - Tension	17.	GT 2110	Bolt Set
4.	GT 775	Frame	18.	GT 2140	Blade Set
5.	GT 1867	Spring - Compression	19.	GT 2141	Blade And Bolt Set
6.	GT 4102	Cutter Brake Unit	20.	GT 9530	Disc Assembly
7.	GT 4005	Link - Left Hand	21.	GT 1966	Wiper
8.	GT 382	V Belt - Cutters	22.	GT 635	Spacer
9.	GT 743	Bracket	23.	GT 589	Shield
10.	GT 771	Lever - Cutters	24.	GT 7985	Spindle Housing Unit
11.	GT 1565	Knob	25.	GT 5089	Spacer - Pulley
12.	GT 4060	Disengage Link	26.	GT 402	Pulley
13.	GT 4099	Belt Guide	27.	GT 328	Nut
14.	GT 4093	Post			

**PARTS AND SPECIFICATIONS SUBJECT TO CHANGE WITHOUT NOTICE  
STANDARD HARDWARE ITEMS ARE NOT SHOWN OR LISTED.**

# HANDLES, CONTROLS & COVERS

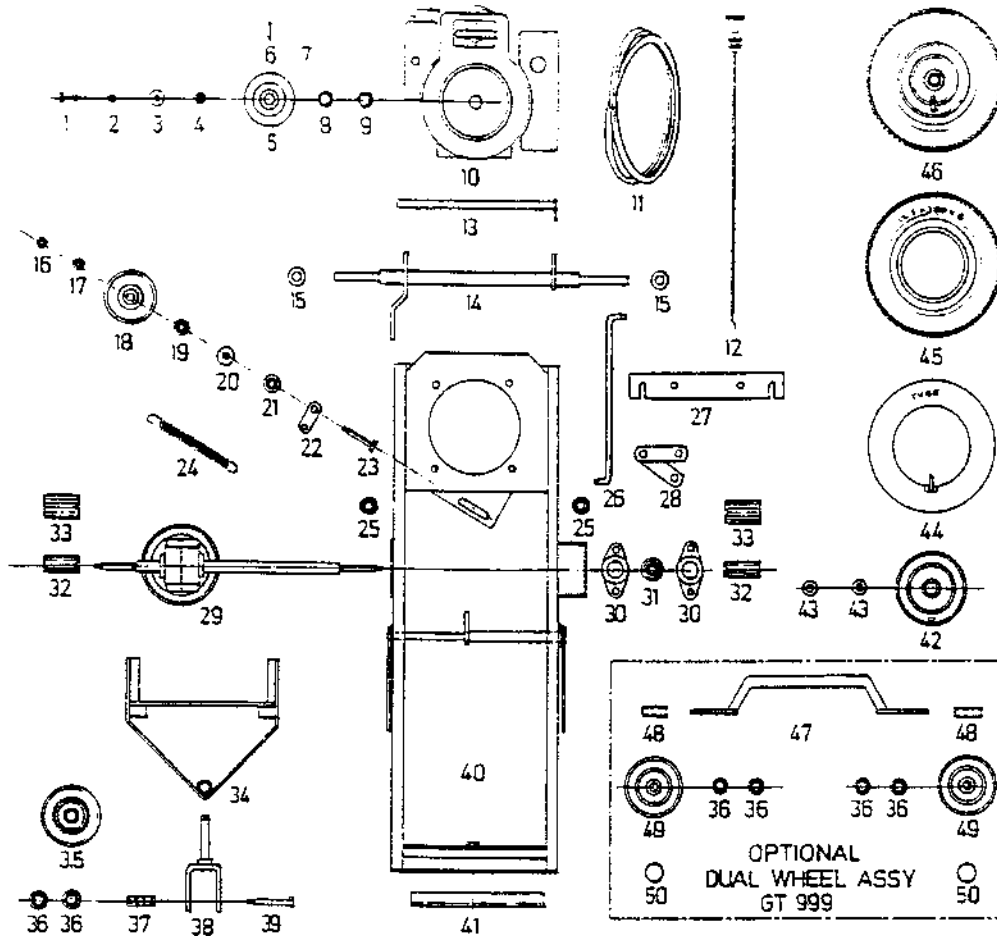


INDEX	PART N°	DESCRIPTION	INDEX	PART N°	DESCRIPTION
1.	GT 695	R.H. Handle Bar	11.	GT 762	Leaf Spring
2.	GT 757	Hand Grip	12.	GT 772	Handle
3.	GT 769	Rod - Drive	13.	GT 747	Lever - Height Adjust
4.	GT 1012	Washer	14.	GT 792	Rod - Height Adjust
5.	GT 579	Wave Washer	15.	GT 791	Link - Adjustable
6.	GT 730	Pivot Bush	16.	GT 748	Spring - Tension
7.	GT 2466	Nyloc Nut	17.	GT 696	L.H. Handle Bar
8.	GT 768	Lever - Drive	18.	GT 699	Drive Shaft Cover
9.	GT 1565	Knob	19.	GT 499	Decal Set
10.	GT 4023	Shaft	20.	GT 697	Front Cover

PARTS AND SPECIFICATIONS SUBJECT TO CHANGE WITHOUT NOTICE  
STANDARD HARDWARE ITEMS ARE NOT SHOWN OR LISTED.



# ENGINE, FRAME & WHEELS



INDEX	PART N <sup>o</sup>	DESCRIPTION	INDEX	PART N <sup>o</sup>	DESCRIPTION
1.	GT 1069	H.T. Bolt	26.	GT 4035 C	Rod
2.	GT 2021	Spring Washer	27.	GT 764	Belt Guide
3.	GT 1750	Flat Washer	28.	GT 741	Pivot
4.	GT 12022	Extension	29.	GT 4080	Gear Box and Shaft Complete
5.	GT 731	V Pulley	30.	GT 760 P	Flangette Plate
6.	GT 1500	Key	31.	GT 760	Bearing
7.	GT 520	Grub Screw	32.	GT 728	Drive Dog Small
8.	GT 1501	Spacer	33.	GT 732	Drive Dog Large
9.	GT 1182	Spacer	34.	GT 4076	"A" Frame
10.	GT 1919	Engine	35.	GT 1864	Wheel Complete
11.	GT 383	V Belt - Drive	36.	GT 1179	Bush
12.	GT 4116	Throttle Control	37.	GT 1899	Sleeve
13.	GT 693	Pivot Rod Assy	38.	GT 4075	Fork Assy
14.	GT 694	Axle Assy	39.	GT 1155	Bolt
15.	GT 628	Collar	40.	GT 698	Frame
16.	GT 2466	Nyloc Nut	41.	GT 4070 A	Clamping Bar
17.	GT 65	Washer	42.	GT 2233	Wheel Hub
18.	GT 1009	Idler Pulley	43.	GT 398	Bearing
19.	GT 609	Bearing Adaptor	44.	GT 454	Tube
20.	GT 1025	Washer	45.	GT 453	Tyre
21.	GT 608	Slide Bush	46.	GT 912	Complete Wheel
22.	GT 5056	Spring Tag	47.	GT 4100	Axle
23.	GT 1118	Bolt	48.	GT 739 A	Sleeve
24.	GT 749	Spring	49.	GT 4069	Wheel Complete
25.	GT 1179	Bush - Axle	50.	GT 1930	Hub Cap

} GT 999

**PARTS AND SPECIFICATIONS SUBJECT TO CHANGE WITHOUT NOTICE  
STANDARD HARDWARE ITEMS ARE NOT SHOWN OR LISTED.**

# GUARANTEE

Greenfield Products Pty Ltd the manufacturer guarantee their product free of faulty workmanship and material for a period of 12 months for domestic use, 3 months for commercial use. Engines used on Greenfield mowers carry the respective manufacturers warranty.

## This Guarantee will not apply to:

- Fair wear and tear, V Belts, Tyres, Tubes, Blades and Blade Bolts, blade holder, and damage caused by misuse, neglect and accidents.
- Repairs rendered necessary or arising from use of other than genuine Greenfield parts, or the relevant genuine engine manufacturers parts.
- Any work performed by other than an authorised Greenfield dealer, or damages arising therefrom or parts that have been tampered with or dismantled.

Products or parts considered faulty should be returned intact to the authorised Greenfield dealer, or direct to Greenfield with all necessary information, freight paid for inspection. In all warranty claims the manufacturers decision is final and binding.

The benefits conferred by the above guarantee are in addition to all other rights and remedies in respect of the product which the consumer has under existing laws in Australia and New Zealand.

Greenfield Products Pty Ltd, the manufacturer reserves the right to change parts and specifications without notice.

## Guarantee Registration Details

Owner \_\_\_\_\_

Address \_\_\_\_\_

\_\_\_\_\_ Postcode \_\_\_\_\_

Phone number \_\_\_\_\_ Purchase Date \_\_\_\_ / \_\_\_\_ / \_\_\_\_

Mower Model \_\_\_\_\_

Mower Chassis N<sup>o</sup> \_\_\_\_\_ Engine N<sup>o</sup> \_\_\_\_\_

Dealer Stamp \_\_\_\_\_

Dealer Signature \_\_\_\_\_

Please complete this record which should be held by the purchaser and presented should service under guarantee be required. To register your guarantee please complete the enclosed guarantee card and return to Greenfield Products.

**Greenfield Products Pty Ltd**  
**172 Ingram Rd, Acacia Ridge, Qld 4110**  
**P.O. Box 155 Archerfield Qld Australia 4108**  
**Fax (07)3344 1161 Phone (07)3345 6100**